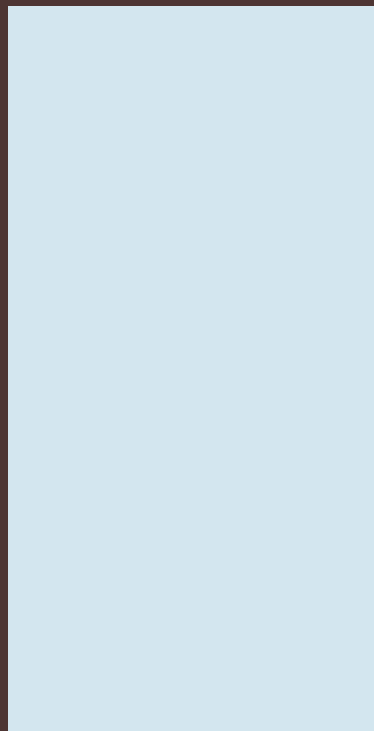
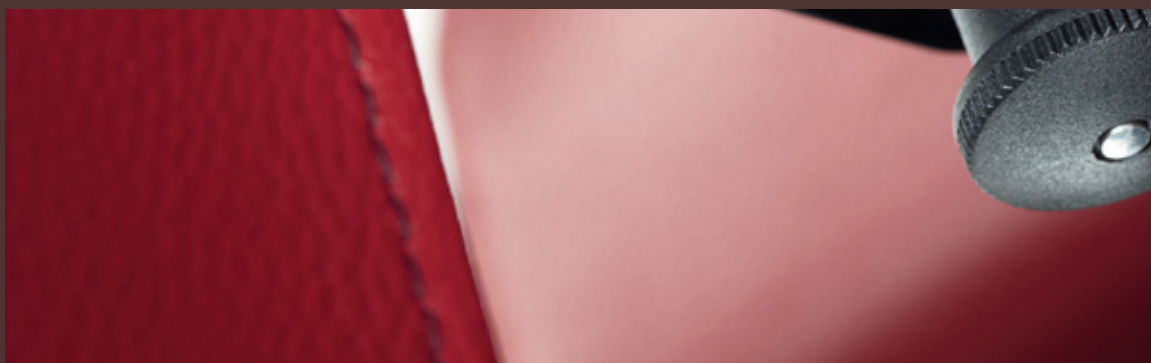




CareFlex HydroFlex



The HydroFlex
The CareFlex rehab chair



HydroFlex®

The CareFlex rehab chair



HydroFlex

Since its launch three years ago the HydroFlex has proven to be a useful, practical seating solution, sharing the same principles of simplicity, comfort and quality synonymous with CareFlex chairs.

The HydroFlex was developed to be used as a rehabilitation product and has been used successfully in Stroke Rehab, with patients with spinal and head injuries and for clients with complex neurological and posture management needs.

CareFlex are determined to be at the forefront of specialist seating and we have carefully monitored the use of the HydroFlex. By analysing requirements for the chair through market feedback, CareFlex are now proud to launch the new HydroFlex range, enhanced for 2011.

WaterCell
TECHNOLOGY



The Medium HydroFlex



Rehabilitation category winner
BHTA Excellence Awards 2008, 2009 & 2010

HydroFlex Enhancements for 2011

- Articulating back to allow for profiling of the back to accommodate kyphosis and more complex head positioning issues. The top section of the chair back can now be angled through a range of 35° forward of its upright position in five indexed steps.
- Fixed Cover version to enhance the appearance of the chair. The fixed cover version has a cleaner, crisper appearance to make what is essentially a clinical product look more appropriate in a domestic environment. The fixed cover greatly reduces the need for Velcro on the chair, which may make the chair more appropriate in areas where infection control is a significant consideration.
- Single side release of the footplate angle control mechanism, simplifying operation. Lowering the footplate, adjusting the angle and stowing the footplate can now be carried out from one side of the chair. The new mechanism still provides a locking action to both sides of the footplate, maintaining its strength.
- Adjustable lateral pad design with an increased support area to address issues of comfort and pressure management.
- Additional wide setting option for adjustable laterals to suit those with a thoracic width which is the same or wider than their hip width.
- Kidney Pad profile for adjustable lateral system to provide less prescriptive support than the standard pads but with a adjustment to suit asymmetrical posture. Available in two pad sizes and two width settings.



The Small HydroFlex

Client Groups

- Semi-ambulant & Non-ambulant
- Cerebral Palsy (Particularly young adult)
- CVA
- EMI Associated Conditions
- Motor Neurone Disease
- Multiple Sclerosis
- RTA & Spinal Cord Injury
- Rehabilitation

Environments

- Domestic / Homecare
- Nursing & Residential Homes
- Specialist Wards
(Stroke rehab, brain / spinal injury, ITU)

Benefits & Features

- A Range of Seat Width Options
Small Model 280 / 330 / 380 / 430mm
Medium Model 350 / 400 / 450 / 500mm
- Articulating Back

- Flat Backrest with CareFlex WaterCell Technology®
- Elevating, Channel Legrest
- Angle Adjustable, Fold Down Footplate
- Adjustable Wings
- Four Fully Braked Castors
- Vapour Permeable Upholstery to all Contact Areas
- Adjustable Seat Depth
- Back Angle Recline
- Tilt-in-Space
- Wide Selection of Fabrics and Designs
- Ergonomic Push Handle

Options

- Fixed Covers
- Loose Covers
- Extended Footplate
- Detachable Footplate Pad
- Deep Laterally Contoured Backrest
- Transfer Arm(s)

- Manual or Motorised Actuation
- Pro-control Actuation
(Only TiS & legrest motorised)
- AutoTilt
(Fully motorised or Pro-control actuation)

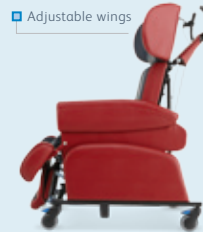
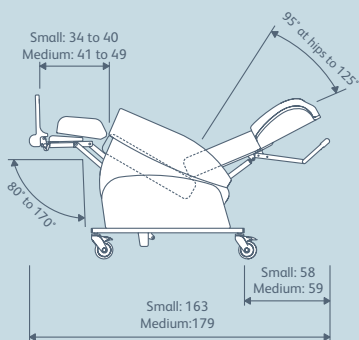
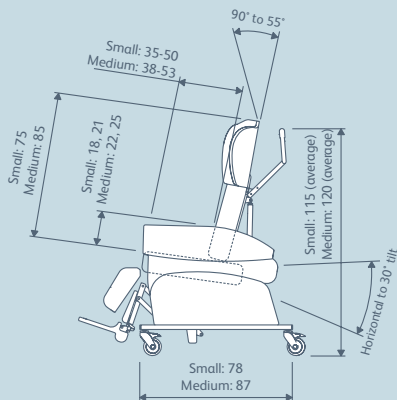
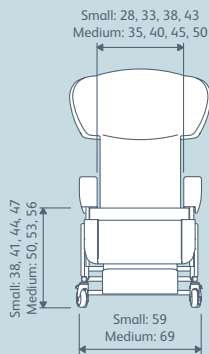
Accessories

- Adjustable Laterals
(Small / medium / kidney; Regular or wide setting)
- Groin Harness
- Pelvic Strap
- Padded Pelvic Strap
- 4-Point Padded Pelvic Strap
- Pommel
- Anterior Knee Strap
- Seat Wedge
- In Line Headrest
- Profiled Soft Headrest
- Shallow / Deep Headrest



HydroFlex®

The CareFlex rehab chair



4 braked castors



Single release footplate mechanism to simplify operation

Articulating back



Back angle recline



Elevating, channel legrest

The Chairs Additional Features Include:

- A large range of Tilt in Space to provide a range of positions for different activities without destabilising posture. Tilt in Space is also critical in stabilising posture to reduce incidence of tissue damage through shear.
- Articulating legrest with integral footplate to provide a comfortable posture, help lift legs above hip level to reduce lower leg swelling and to help the client stabilise their posture.
- Back Angle Recline to help accommodate different hip positions and aid comfort.
- Fully mobile base to facilitate portering of the client in the chair.
- An extensive range of accessories to further support a wide range of postures.

Product weight:

70-75kg

Maximum user weight:

Small - 100kg

Medium - 150kg

HydroFlex	SEAT HEIGHT	SEAT WIDTH	MAX WIDTH	SEAT DEPTH	BACK LENGTH	ARM HEIGHT	PUSH BAR	TIS RANGE	BAR RANGE	KNEE ANGLE HEIGHT	SEAT TO FOOTPLATE	BASE LENGTH	FULL LENGTH	RECLINE CLEARANCE	BACK ARTICULATION
Small	38, 41(d), 44, 47	28, 33, 38, 43	59	35-50	75	18,21	115 (av)	Horizontal to 30° tilt	95° at hips to 125°	80° at knees to 170°	34-40	78	163	58	90° - 55°
Medium	50(d), 53, 56	35, 40, 45, 50	69	38-53	85	22,25	120 (av)	Horizontal to 30° tilt	95° at hips to 125°	80° at knees to 170°	41-49	87	179	54	90° - 55°

Measurements followed by (d) are the default settings for the chair. Other options are factory set. Push bar height will vary with chair height setting and the TIS and BAR setting.



Rehabilitation category winner BHTA Excellence Awards 2008, 2009 & 2010

Unit 1, Templer House
King Charles Business Park
Old Newton Road
Heathfield
Newton Abbot
Devon TQ12 6UT

Tel: 00 44 (1)626 836440

Fax: 00 44 (1)626 836441

A CliniMed® Group Company

CareFlex is a member of the
British Healthcare Trades Association.
For more information visit
www.bhta.com or call 020 7702 2141

© CareFlex Ltd 2011

Company registered in England No. 2650254 Registered Office: Cavell House, Knaves Beech Way, Loudwater, High Wycombe, Bucks HP10 9QY

CareFlex Ltd. reserves the right to alter specification without prior notice. The design and construction of all products and samples supplied by the company and all product names are the intellectual property of CareFlex Ltd. and/or CliniMed Ltd. In the event of unauthorised copying, reproduction, use or passing off of the company's intellectual property, the company will pursue its legal remedies to the fullest extent.

CareFlex®, CareFlex WaterCell Technology®, HydroFlex® and the CareFlex wavy lines logo are all registered trademarks of CliniMed (Holdings) Ltd.



This leaflet is printed on paper produced from sustainable sources using biodegradable, vegetable inks.

Distributor details:

www.careflex.co.uk

enquiries@careflex.co.uk

Customer Careline: 0800 0186440

HX 07/11