

OverNight Chair

Relax in comfort

The OverNight chair is designed to meet demand for overnight accommodation for family members in hospitals and care environments. The OverNight is designed to provide comfortable seating by day and full length sleeping accommodation by night. The transformation from chair to bed is achieved by one simple folding action and can be completed within seconds. The chair can even be fitted with a storage tray to hold clean linen or a guest's belongings.



Client groups

- All care environments
- Paediatric wards
- Patient or family member use
- Bedside or day room chair

Accessories

- Storage tray

Benefits and features

- Space saving
- Simple to operate
- Fully mobile
- Full length sleeping accommodation



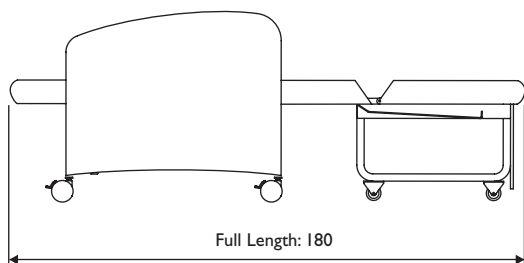
Full length sleeping accommodation



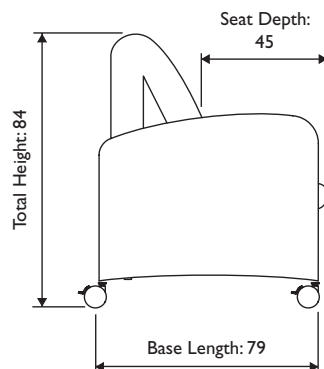
Storage tray



Please refer to the individual chair instructions for a detailed guide to chair use



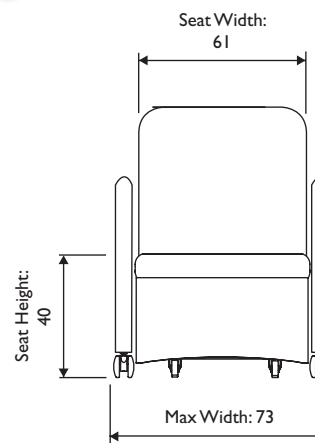
Full Length: 180



Total Height: 84

Seat Depth: 45

Base Length: 79



Seat Height: 40

Seat Width: 61

Max Width: 73

CareFlex Ltd. reserves the right to alter specification without prior notice. The design and construction of all products and samples supplied by the company and all product names are the intellectual property of CareFlex Ltd. and/or CliniMed Ltd. In the event of unauthorised copying, reproduction, use or passing off of the company's intellectual property, the company will pursue its legal remedies to the fullest extent.

CareFlex®, CareFlex WaterCell Technology® and the CareFlex wavy lines logo are all registered trademarks of CliniMed (Holdings) Ltd.

Distributor details:

CareFlex is a member of the British Healthcare Trades Association. For more information visit www.bhta.com or call 020 7702 2141

Customer Careline:
0800 0186440

www.careflex.co.uk
enquiries@careflex.co.uk

Unit 1, Templer House
King Charles Business Park
Old Newton Road
Heathfield
Newton Abbot
Devon TQ12 6UT

Tel: 00 44 (1)626 836440
Fax: 00 44 (1)626 836441
A CliniMed® Group Company

© CareFlex Ltd 2011
Company registered in England No. 2650254
Registered Office: Cavell House, Knaves Beech Way,
Loudwater, High Wycombe, Bucks HP10 9QY