

# The HydroTilt<sup>®</sup>



An all-round chair for  
posture, pressure and  
comfort management in  
equal measure.



**CareFlex**

**HYDROTILT<sup>®</sup>**

# THE HYDROTILT®

Carers and clients can rely on the HydroTilt, it is an accommodating all-round chair for posture, pressure and comfort. With an adaptable fit and Tilt-in-Space functionality, the HydroTilt is a good choice where posture and pressure management are of equal priority. It is suitable for a wide range of seating needs in all care environments. It provides high levels of comfort and robust construction making it suitable for long-term care.

## CLIENT GROUPS

- Semi-ambulant and non ambulant.
- Frail and elderly.
- Neurological conditions (e.g. Multiple Sclerosis, Muscular Dystrophy, Motor Neurone Disease).
- Cardiovascular conditions.
- Orthopaedic conditions.

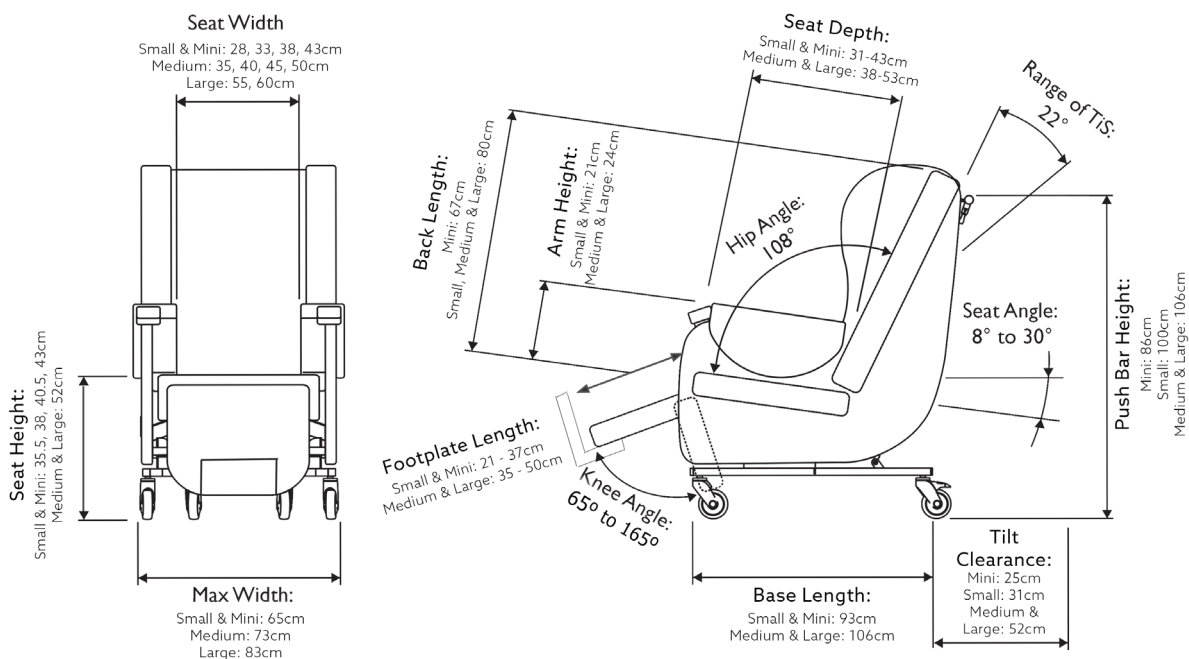
## ENVIRONMENTS

- Domestic and home care.
- Nursing and residential homes.
- Hospital wards.
- Hospices and respite care.
- Paediatric units and schools.

## FEATURES

- WaterCell Technology for maximum pressure management in the seat and backrest.
- Tilt-in-Space.
- Independent tilting leg and footrests.
- Removable covers for easy clean and replacement.
- 2 Braked castors.
- Removable side arms.
- Adults and children sizing.

## TECHNICAL



## SIZE OPTIONS

- Mini: Internal Seat Width 280/330/380/430mm
- Small: Internal Seat Width 280/330/380/430mm
- Medium: Internal Seat Width 350/400/450/500mm
- Large: Internal Seat Width 550/600mm
- Maximum User Weight: Small/Mini 75kg  
Medium/Large 160kg