

The HydroTilt[®] XL



The all-round chair for
posture, pressure and
comfort management
only **bigger**



CareFlex

HYDROTILT[®] XL

THE HYDROTILT[®]XL

The HydroTilt XL benefits from all the tried and tested features of the HydroTilt. A well thought out, effective design which is simple to use, it is perfect for bariatric clients up to 35 stone.

Seating individuals with increased body weight and size can increase the risk of injury to carers, support staff and clinicians. The HydroTilt XL has powered functions and heavy duty castors to make chair use and manoeuvrability smoother and safer for the user and their support network.

The HydroTilt XL is an effective seating solution for adults and with the following conditions and postural challenges:

CLIENT GROUPS

- Obesity.
- Osteoarthritis.
- Lymphedema.
- Huntington's disease.
- Parkinson's disease.
- Multiple sclerosis.
- Motor neurone disease.
- Stroke.
- Pelvic instability.
- Increased lumbar lordosis.
- General weakness.
- Fatigue.

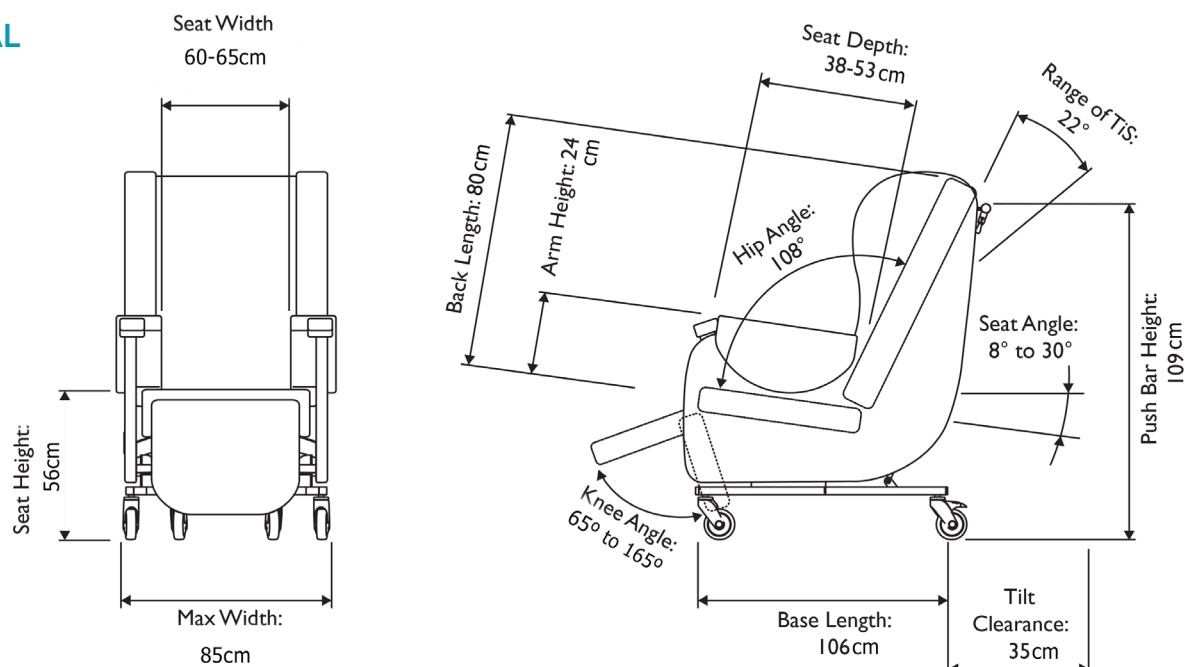
ENVIRONMENTS

- Domestic and home care.
- Nursing and residential homes.
- Hospital wards.
- Hospices and respite care.
- Home.

FEATURES

- WaterCell Technology for maximum pressure management in the seat and backrest.
- Tilt-in-Space.
- Independent tilting leg and footrests.
- 4 Heavy duty braked castors.
- Adults up to 35 stone.

TECHNICAL



SIZE OPTIONS

- XL: Internal Seat Width 600/650mm
- Maximum User Weight: XL 220kg