

The MultiAdjust

A Fresh Thinking Seating Solution

NEW

Now available
with motorised
adjustment control
options



An all-round highly adjustable,
adaptable, comfortable and cost
effective postural care chair.

CareFlex

Standard Features At A Glance

The new MultiAdjust is a **cost effective, tool-free**, highly adjustable seating system that provides **postural support** and **pressure care** without compromising the users **comfort**. The chair benefits from **Tilt-in-Space, Back Angle Recline** and lower limb support, offered with adjustment control options (manual or motorised). The MultiAdjust is an ideal choice for **multiple user** environments, and for those who are semi-ambulant and non-ambulant. Its modular design, with interchangeable accessories, makes it a perfect fit for Community Loan Stores. It is suitable for a wide range of seating needs in most Care Environments. It provides high levels of comfort and the robust construction quality that you would associate with CareFlex. For peace of mind the MultiAdjust comes with a **Lifetime Frame Warranty**.

CLIENT GROUPS

- Semi-ambulant and non-ambulant
- Frail and elderly
- Neurological conditions (e.g. Multiple Sclerosis, Muscular Dystrophy, Motor Neurone Disease)
- Cardiovascular conditions
- Orthopaedic conditions



ENVIRONMENTS

- Nursing and residential homes
- Hospital wards
- Hospices and respite care
- Domestic and home care

STANDARD FEATURES

- Tilt-in-Space
- Back Angle Recline
- Elevating Leg Rest
- Flip Up & Angle Adjustable Footplate
- Integral Seat Depth Adjustment
- Integral Seat Width Adjustment
- Integral Arm Height Adjustment
- Removable Arms
- Pressure Redistributing Reflexion Foam Seat Cushion
- Reflexion Foam Flat Back
- 4 Braked Castors
- Ash Grey Upholstery with Black Vapour Permeable Material to Contact Areas

ADJUSTMENT CONTROL OPTIONS

- Manual
- Pro-Control (leg rest and Tilt-in-Space functions only)
- Fully Motorised



Hoist and Transfer Aid Compatible



Easy to Clean and Dismantle



Easy and Clear Width Adjustments

Technical Data

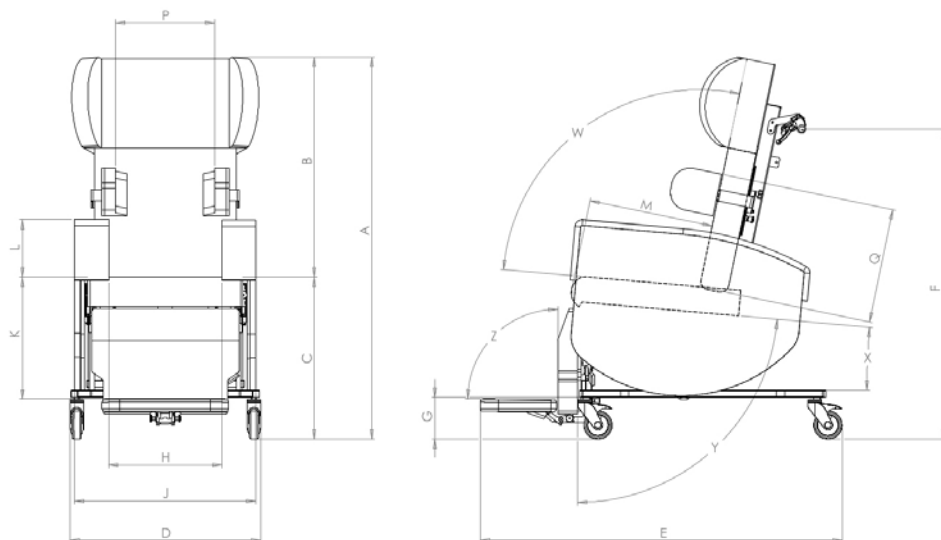
Adjustments	
H: Seat width (inner)	400 mm (16") to 550 mm (21") (150 mm range - 2 cushion sizes)
J: Max width (outer)	790 mm (31")
K: Seat to Footplate height	350 mm (14") to 500 mm (20") (150 mm range)
L: Arm height	200 mm (8") to 250 mm (10") (50 mm range)
M: seat depth	380 mm (15") to 550 mm (21") (170 mm range)
P: Narrow Lateral Width	230 mm (9") to 360 mm (14") (130 mm range)
P: Regular Lateral Width	315 mm (12") to 435 mm (17") (120 mm range)
P: Wide Lateral Width	445 mm (18") to 520 mm (20") (130 mm range)
Q: Lateral Height	320 mm (12") to 520 mm (20") (200 mm range)
W: Back angle recline (B.A.R)	95° to 135° (40° range) (Manual & Motorised)
X: Tilt in space (T.I.S)	Factory Setting: 0° to 35° (35° range) (Manual & Motorised) Optional Setting: -5° to 30° (35° range) (Manual & Motorised)
Y: Knee angle	Factory Setting: 65° to 135° (70° range) (Manual & Motorised) Optional Setting: 80° to 150° (70° range - Manual) Optional Setting: 80° to 157° (77° range - Motorised)
Z: Ankle angle	4 positions - 75° / 90° / 105° / 120°

Basic Dimensions	
A: Overall Height	1350 mm (53")
B: Back Height	830 mm (32")
C: Seat Height	540 mm (21")
D: Castor Frame Width	675 mm (26")
E: Overall Length	1285 mm (50")
F: Push Bar Height	1125 mm (44")
G: Clearance Height	145 mm (6")
Maximum User Weight	160kg
Chair Weight	70kg (Manual) 73kg (Motorised)

(All measurements ±10mm / 5°)

Additional Extras

- Contoured or Waterfall Back
- Watercell Technology Cushion
- Motorised Control Options
- Pommel
- Lateral Supports
- Soft or Profiled Headrest
- Choice of Belts & Harnesses
- Tray
- Footplate Pad
- Change in Upholstery Colour



Upgrade to the MultiAdjustPlus

The new standard features of the MultiAdjust can also be upgraded, just as Roger did for his choice of chair at home. Roger lives with the challenges of an old spinal injury; the MultiAdjustPlus was the perfect solution for his postural and pressure care needs. "I can sit and watch TV in complete comfort, and having the option to choose a chair colour to match my surroundings was perfect".

The MultiAdjustPlus comes with the addition of these following features:

- Choice of a Contoured or Waterfall Back
- Upgrade to Watercell Technology
- Choice of Colour from our Simply Colours Range



Book your demo today!
0800 018 6440
www.careflex.co.uk

CareFlex