



NEW

The MultiAdjustPlus

The MultiAdjustPlus offers everything the MultiAdjust does, just with some additional upgrades.

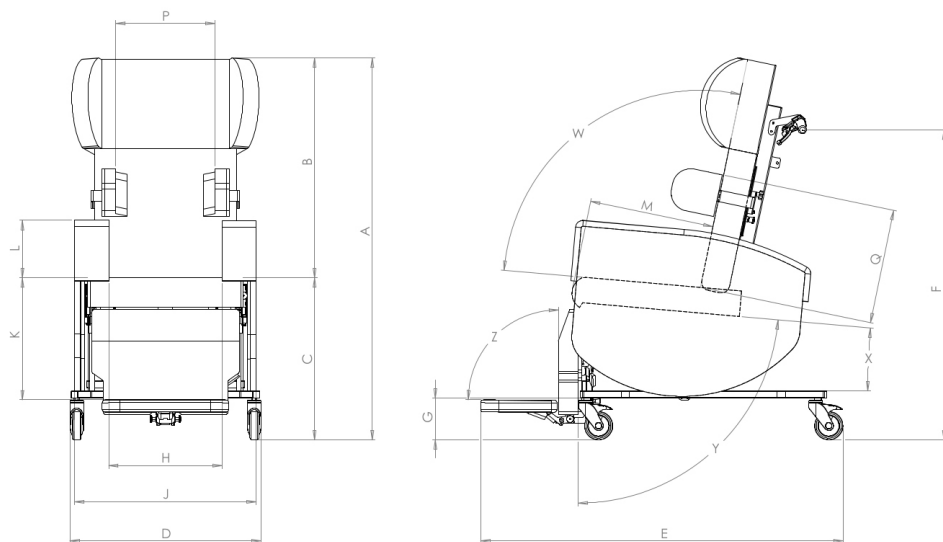


CareFlex

MultiAdjustPlus

The MultiAdjustPlus

The new MultiAdjustPlus is a cost effective, tool-free, highly adjustable seating system that provides postural support and pressure care without compromising the users comfort. The chair benefits from Tilt-in-Space, Back Angle Recline and lower limb support. The MultiAdjustPlus is an ideal choice for the individual user where a specific chair set-up is indicated, due to a range of accessories, integrated WaterCell Technology and aesthetic choice. It can benefit individuals with a wide range of seating needs including those with orthopaedic, cardiovascular and neurological conditions, and those who are semi-ambulant or non-ambulant. The MultiAdjust provides high levels of comfort and the robust construction quality associated with CareFlex. For peace of mind the MultiAdjustPlus comes with a Lifetime Frame Warranty.



Basic Dimensions	
A: Overall Height	1350 mm (53")
B: Back Height	830 mm (32")
C: Seat Height	540 mm (21")
D: Castor Frame Width	675 mm (26")
E: Overall Length	1285 mm (50")
F: Push Bar Height	1125 mm (44")
G: Clearance Height	145 mm (6")
Maximum User Weight	160kg
Chair Weight	70kg

Adjustments	
H: Seat Width (inner)	400 mm (16") to 550 mm (21") (150 mm range - 2 cushion sizes)
J: Max Width (outer)	790 mm (31")
K: Seat Base to Footplate Height	350 mm (14") to 500 mm (20") (150 mm range)
L: Arm Rest Height	200 mm (8") to 250 mm (10") (50 mm range)
M: Seat Depth	380 mm (15") to 530 mm (20") (150 mm range)"
P: Lateral Width (Laterals are Optional)	Narrow: 230 mm (9") to 360 mm (14") (130 mm range) Regular: 315 mm (12") to 435 mm (17") (120 mm range) Wide: 445 mm (18") to 575 mm (23") (130 mm range)
Q: Lateral Height	320 mm (12") to 520 mm (20") (200 mm range)
W: Back Angle Recline (BAR)	95° to 135° (40° range)
X: Tilt-in-Space (TIS)	Factory Setting 1: 0° to 35° (35° range) Optional Setting 2: -5° to 30° (35° range)
Y: Leg Rest Angle	Factory Setting 1: 65° to 135° (70° range) Optional Setting 2: 72° to 142° (70° range)
Z: Footplate Angle	4 Positions - 75° / 90° / 105° / 120°

STANDARD FEATURES

- Tilt-in-Space
- Back Angle Recline
- Elevating Leg Rest
- Flip Up & Angle Adjustable Footplate
- Integral Seat Depth Adjustment
- Integral Seat Width Adjustment
- Integral Arm Height Adjustment
- Removable Arms
- Watercell Technology Cushion
- Waterfall or Contoured Back
- 4 Braked Castors
- Choice of Colour Upholstery from our Simply Colours Range with Black or Grey Vapour Permeable Material to Contact Areas

(All measurements ±10mm / 5°)



Call 01626 836440

Email info@careflex.co.uk

www.careflex.co.uk